

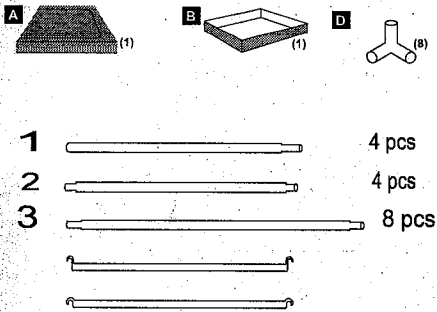


Grow Tent Assembly Instructions

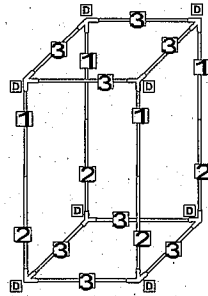
For Tent Size: 90x90x160cm
 100x100x200cm
 120x120x200cm
 150x150x200cm

COMPONENTS

(A) Tent, (B) Floor Tray,
 (D) Corner Adapter, (1-5) Framework Support

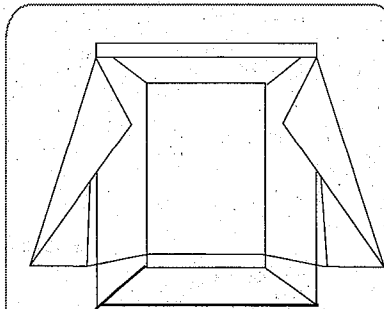


STEP 1



First assemble tent frame as showed .

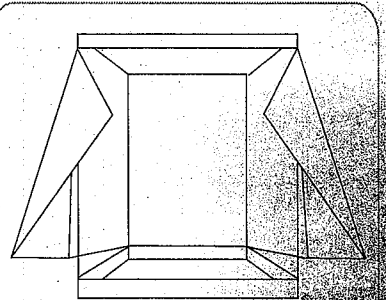
STEP 2



Unzip all zippers of the tent cover all the way.

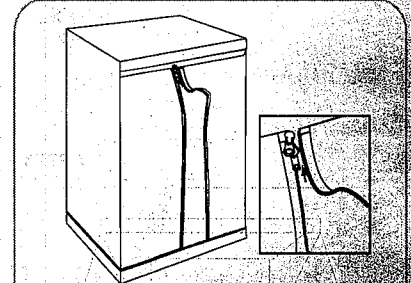
Pull up the top of tent shell on the frame
 make sure all corners are squarely in place.
 Having a helper makes this process easier.

STEP 3



Then pull the bottom of tent shell under
 the base of tent frame properly.
 Put all hanging bars on the top of frame.

STEP 4



Place floor tray inside the tent
 floor and secure to Velcro pieces
 of the tent cover.
 Close all zippers.

